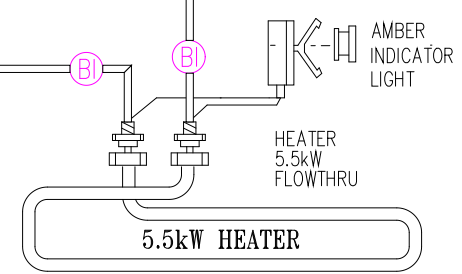
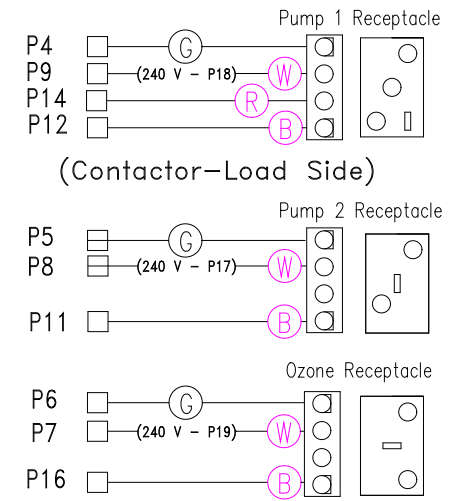
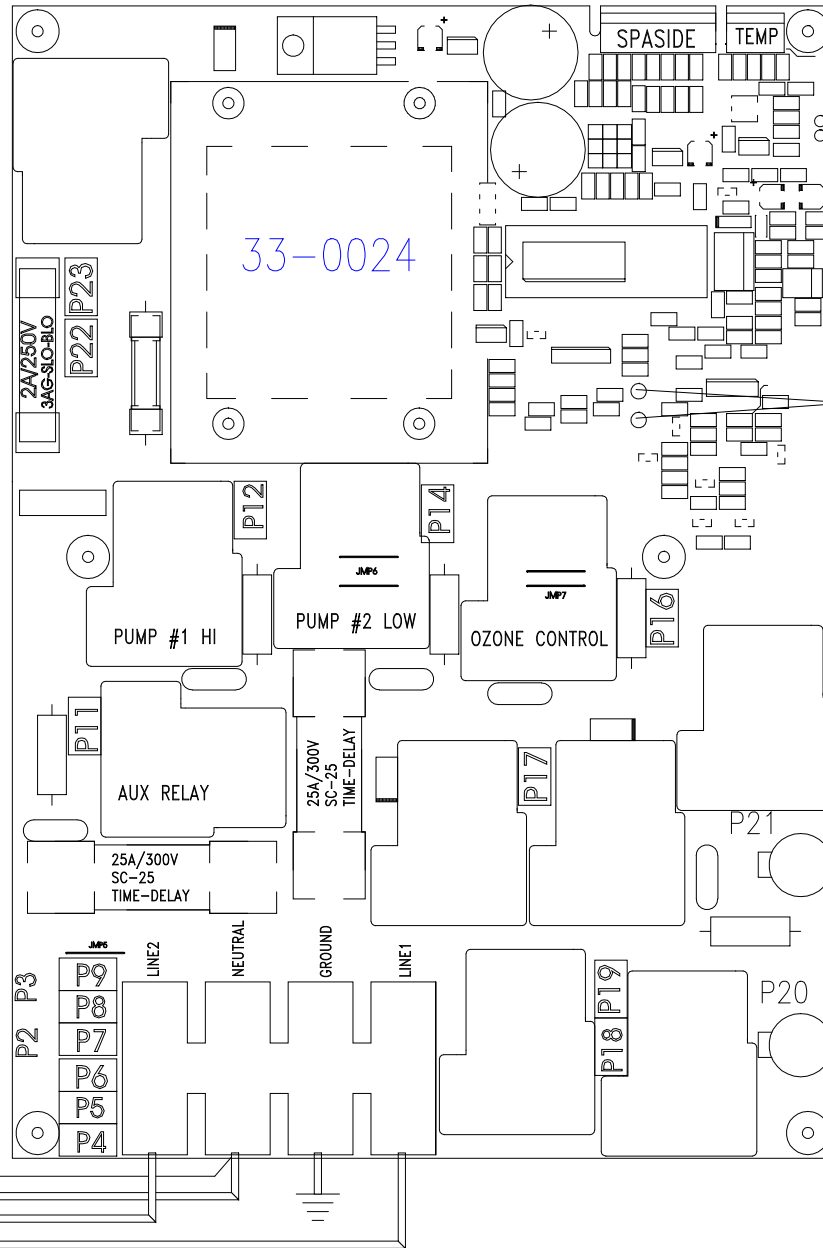
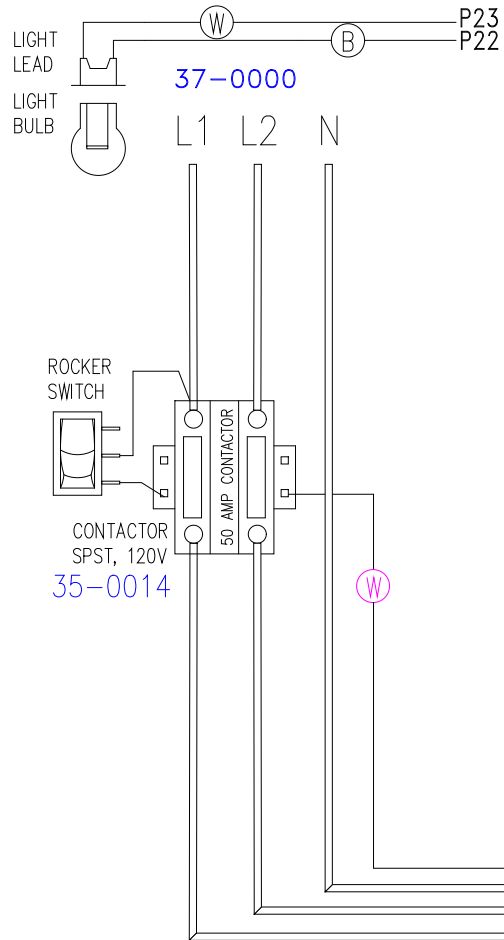


JUMPER SETTINGS

- JMP1 = HC MODE
- JMP2 = °F UNITS
- JMP3 = Circ. Pump

LEGEND

- 1/4" QUICK CONNECT
- 1/4" QUICK CONNECT PIGGYBACK
- FORK CONNECTOR
- RING CONNECTOR
- SOCKET CONNECTOR
- PIN CONNECTOR



RELATED METALS
PT# 26-0032A

HYDRO-QUIP
CORONA, CA (909) 273-7575

Manufacture Notes:

Dwg. No.
J220A0-DKQY8-N

Drawn
JLN
Date
07.07.98

Rev
3

Diagram No.
4800

| Wire Color Code | |
|-----------------|------------|
| B - Black | G - Green |
| Br - Brown | Bl - Blue |
| R - Red | V - Violet |
| O - Orange | W - White |
| Y - Yellow | Gr - Gray |